

# Overview of Apache Portals Projects

Dennis Dam  
Apache Portals Meetup, Amsterdam April 7

# Agenda



- Introducing Apache Portals
- Portals projects
- Future
- Questions and Answers

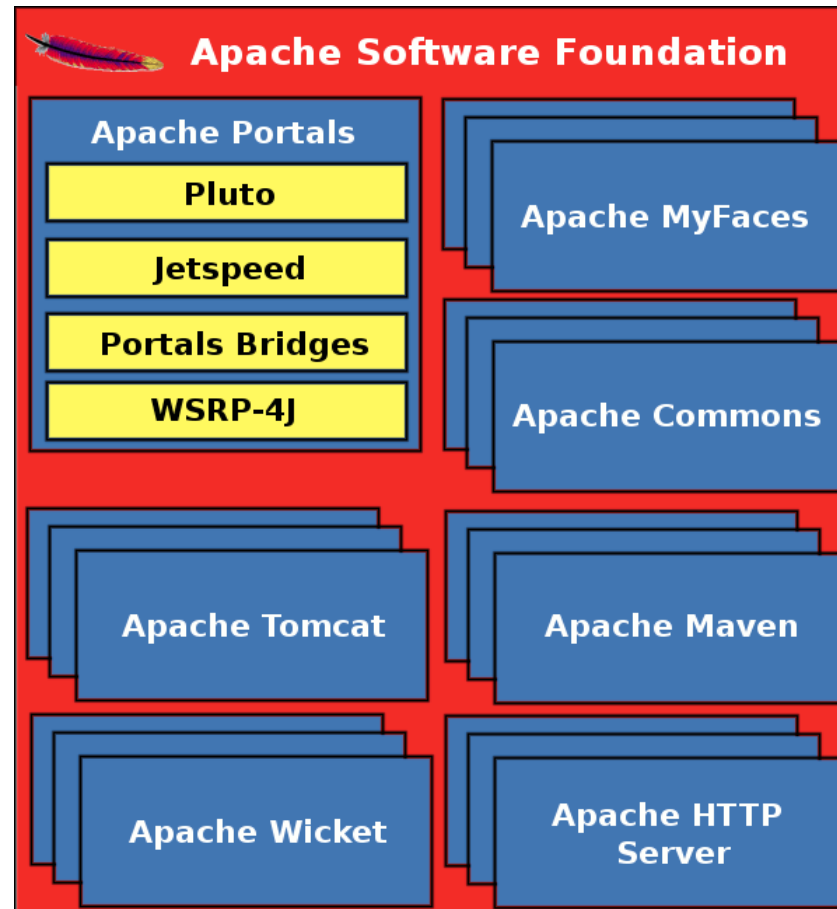
# Introducing Apache Portals



- Provide robust, high quality, freely available portal related software
- March 2004: Top Level Project
  - Group all portal related software in one project
- JSR-168 + WSRP reference implementations
- Complete portal solutions
- Building blocks for JSR-168 compliant portals

- **Pluto**
  - JSR-168 Reference Implementation
- **Jetspeed**
  - Fully JSR-168 compliant open source portal
- **WSRP-4J**
  - WSRP reference implementation
- **Bridges**
  - Bridging frameworks for integration of web application frameworks with portals.

# Portals in the ASF



- Users, Developers, Committers (43)
- Mailinglists
  - Portals general list
  - Pluto / Jetspeed / WSRP4J / Bridges: user, dev lists
- Website: <http://portals.apache.org>
- Wiki: <http://wiki.apache.org/portals/>
- ApacheCon / Meetup

- Pluto
- Jetspeed
- WSRP
- Bridges

- Java Community Process  
<http://www.jcp.org/en/jsr/detail?id=168>
- Led by Sun and IBM
- 1.0 Final Release Oct 27, 2003
- Interoperability between Portlets / Portals
- Set of APIs defining Portlets
- Pluggable factories allow high extensibility



# Pluto 1.1

- Simplified architecture
- Easy to embed in portal
- Incompatible with 1.0
- Simplicity (1.1) versus flexibility (1.0)

- Reference Implementation JSR-286 Java Community Process

<http://jcp.org/en/jsr/detail?id=286>

- Led by IBM
- Final Approval Ballot finished March 3, 2008
- Fixes limitations of JSR-168
- Pluto 2 based on JSR-286 currently under development
- “Best of both worlds” Pluto 1.0 <-> 1.1

# Jetspeed 2

- *A Portal as well as a Portal Framework*
- Fully open and standards based, JSR-168 compliant
- Extendable and programmable through the Jetspeed API, uses IOC (Spring)
- Runs on Tomcat, Jetty, Geronimo, Jboss, Glassfish, WebSphere and Weblogic
- JAAS-based authentication/authorization through LDAP or database

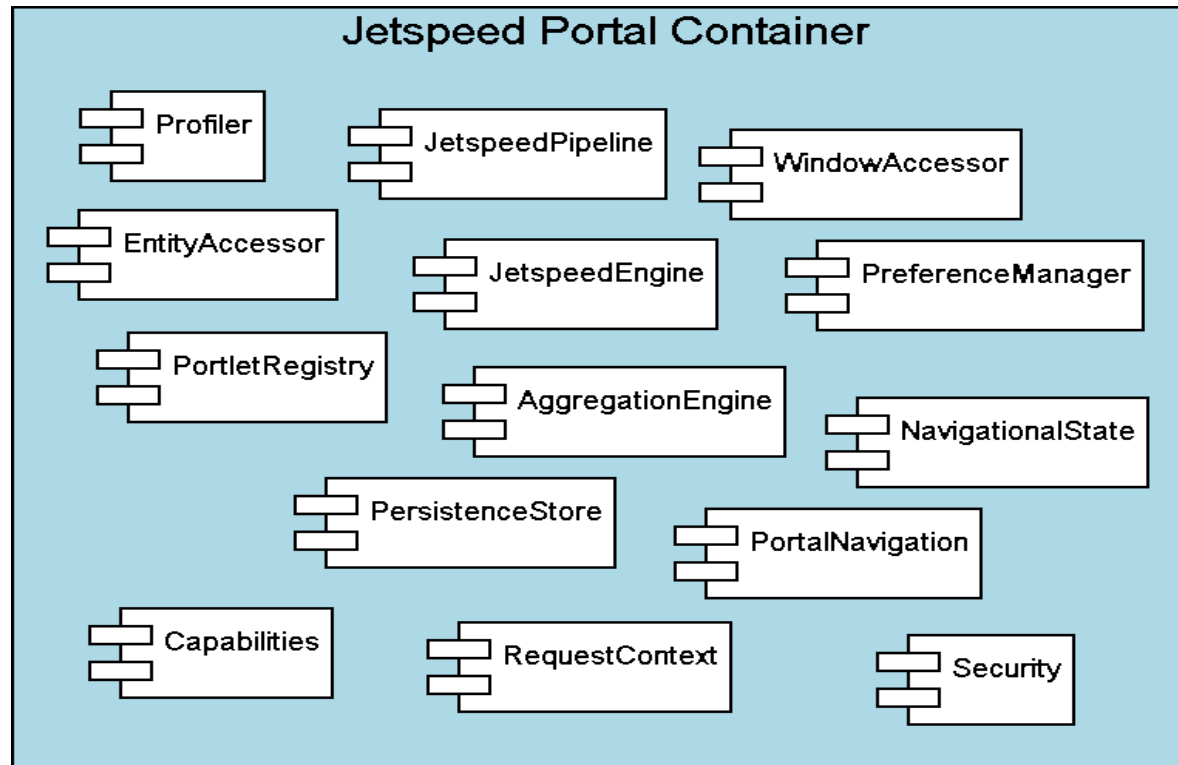
# Jetspeed 2

- Pluggable and configurable request pipeline(s)
- Profiler for dynamic mapping of requests to pages:
  - hostname/role/group/user/browser/language/media type/[custom criteria]/... based matching
- Subsites for hosting multiple communities
- Pluggable decorators (skinning)
- Everything is rendered through portlets
- Parallel rendering
- Clusterable

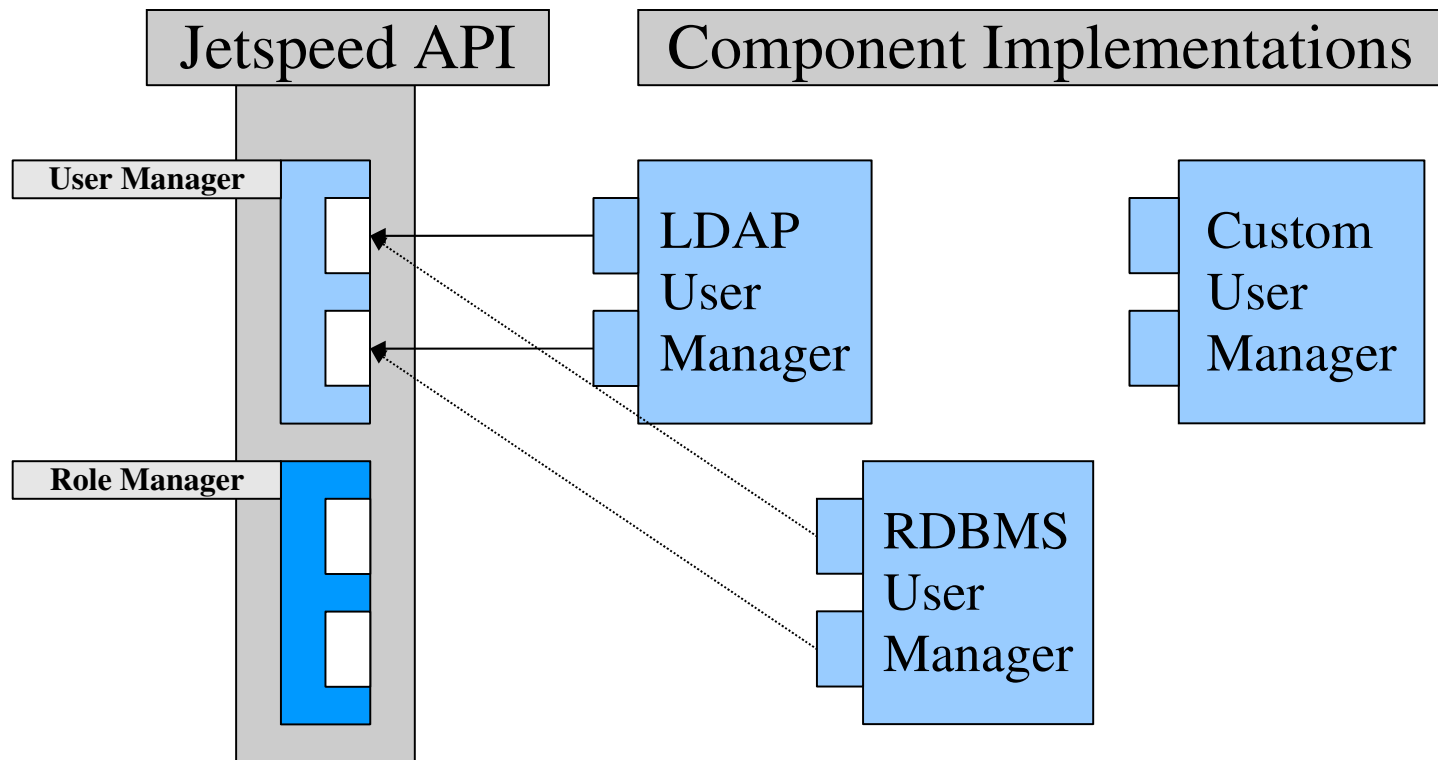
# Architecture and Configuration



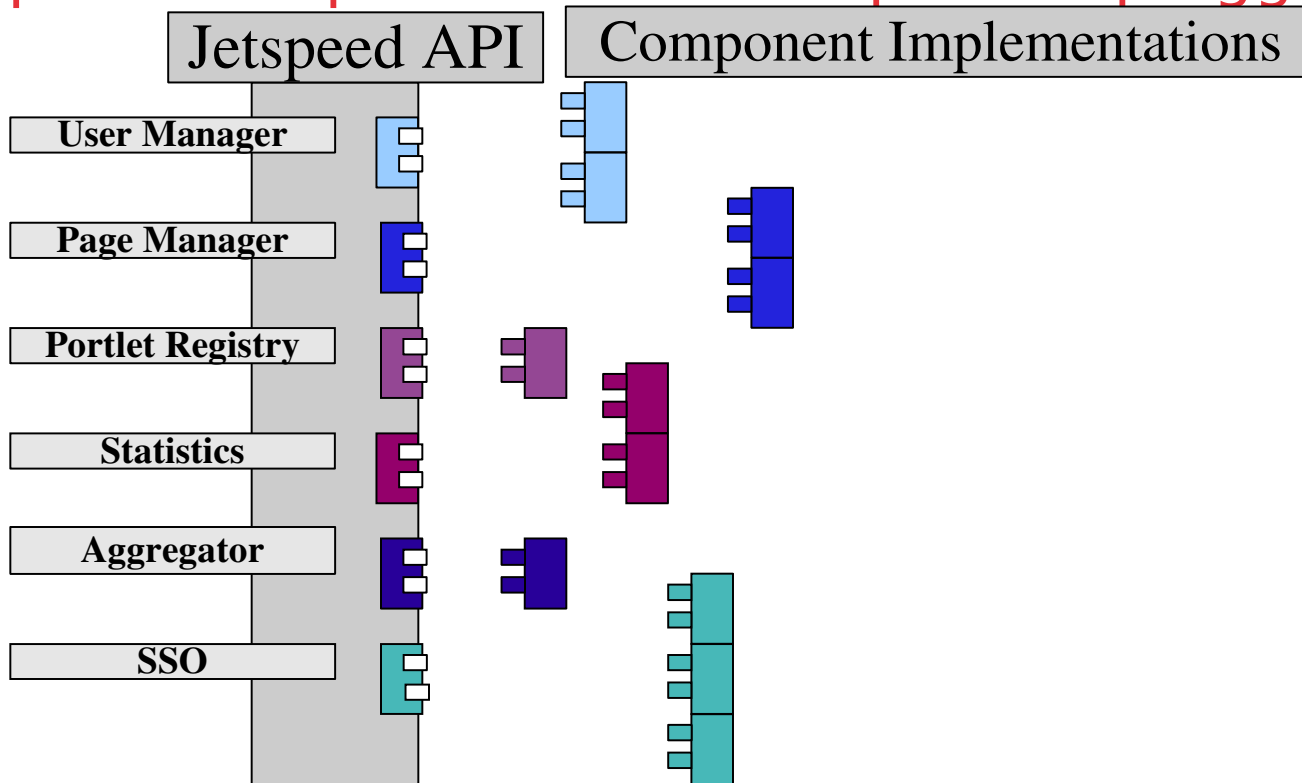
## A Portal of pluggable components



## Interface Driven Development: the Jetspeed API



All Jetspeed components are setup to be pluggable:



- Integration of existing web frameworks in portal
- Separation of concerns Portal <-> Bridged Web Framework
- Can run in any JSR-168 compliant Portal Container
- Current bridges:
  - Struts bridge
  - PHP bridge
  - Velocity bridge
  - Groovy bridge
  - Perl Bridge
  - JSF (MyFaces) Bridge (no longer required)



- Web Services for Remote Portlets
- Reference implementation OASIS WSRP spec
- Integration of remote applications/content in portal using consumer / producer
- Example: government portal publishing content from X separate government institutions

- **Pluto**
  - JSR-286 implementation
  - Seek middleground between 1.0 and 1.1 versions
- **Jetspeed-2**
  - Maven 2, Jetspeed light, Eclipse plugin
  - Embedding Pluto 2.0
- **Apache Portals Applications**
  - Proposal accepted March 2008
  - Umbrella project for portlet applications and common portal components

# Questions



.. and hopefully some answers :)