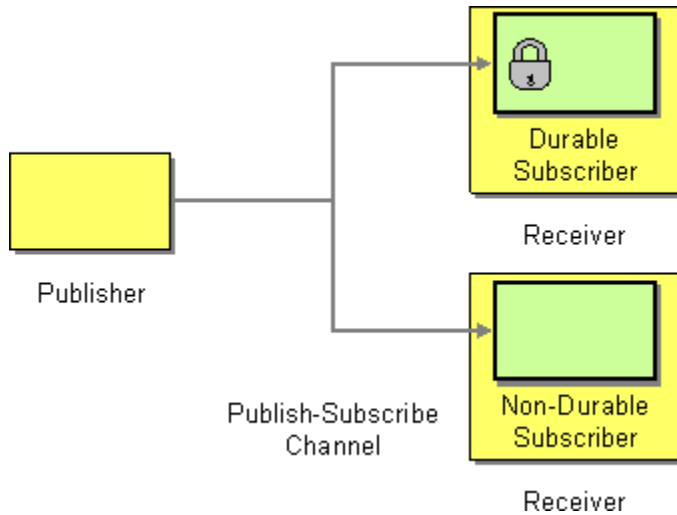


Durable Subscriber

Durable Subscriber

Camel supports the [Durable Subscriber](#) from the [EIP patterns](#) using the [JMS](#) component which supports publish & subscribe using Topics with support for non-durable and durable subscribers.



Another alternative is to combine the [Message Dispatcher](#) or [Content Based Router](#) with [File](#) or [JPA](#) components for durable subscribers then something like [Seda](#) for non-durable.

Here is a simple example of creating durable subscribers to a [JMS](#) topic

Using the Fluent Builders

```
from("direct:start").to("activemq:topic:foo");

from("activemq:topic:foo?clientId=1&durableSubscriptionName=bar1").to(
    "mock:result1");

from("activemq:topic:foo?clientId=2&durableSubscriptionName=bar2").to(
    "mock:result2");
```

Using the Spring XML Extensions

```

<route>
  <from uri="direct:start" />
  <to uri="activemq:topic:foo" />
</route>

<route>
  <from uri="activemq:topic:foo?clientId=1&durableSubscriptionName=bar1"
 />
  <to uri="mock:result1" />
</route>

<route>
  <from uri="activemq:topic:foo?clientId=2&durableSubscriptionName=bar2"
 />
  <to uri="mock:result2" />
</route>

```

Here is another example of [JMS durable subscribers](#), but this time using [virtual topics](#) (recommended by AMQ over durable subscriptions)

Using the Fluent Builders

```

from("direct:start").to("activemq:topic:VirtualTopic.foo");

from("activemq:queue:Consumer.1.VirtualTopic.foo").to("mock:result1");

from("activemq:queue:Consumer.2.VirtualTopic.foo").to("mock:result2");

```

Using the Spring XML Extensions

```

<route>
  <from uri="direct:start" />
  <to uri="activemq:topic:VirtualTopic.foo" />
</route>

<route>
  <from uri="activemq:queue:Consumer.1.VirtualTopic.foo" />
  <to uri="mock:result1" />
</route>

<route>
  <from uri="activemq:queue:Consumer.2.VirtualTopic.foo" />
  <to uri="mock:result2" />
</route>

```

See Also

- [JMS](#)
- [File](#)
- [JPA](#)
- [Message Dispatcher](#)
- [Selective Consumer](#)
- [Content Based Router](#)
- [Endpoint](#)

Using This Pattern

If you would like to use this EIP Pattern then please read the [Getting Started](#), you may also find the [Architecture](#) useful particularly the description of [Endpoint](#) and [URIs](#). Then you could try out some of the [Examples](#) first before trying this pattern out.